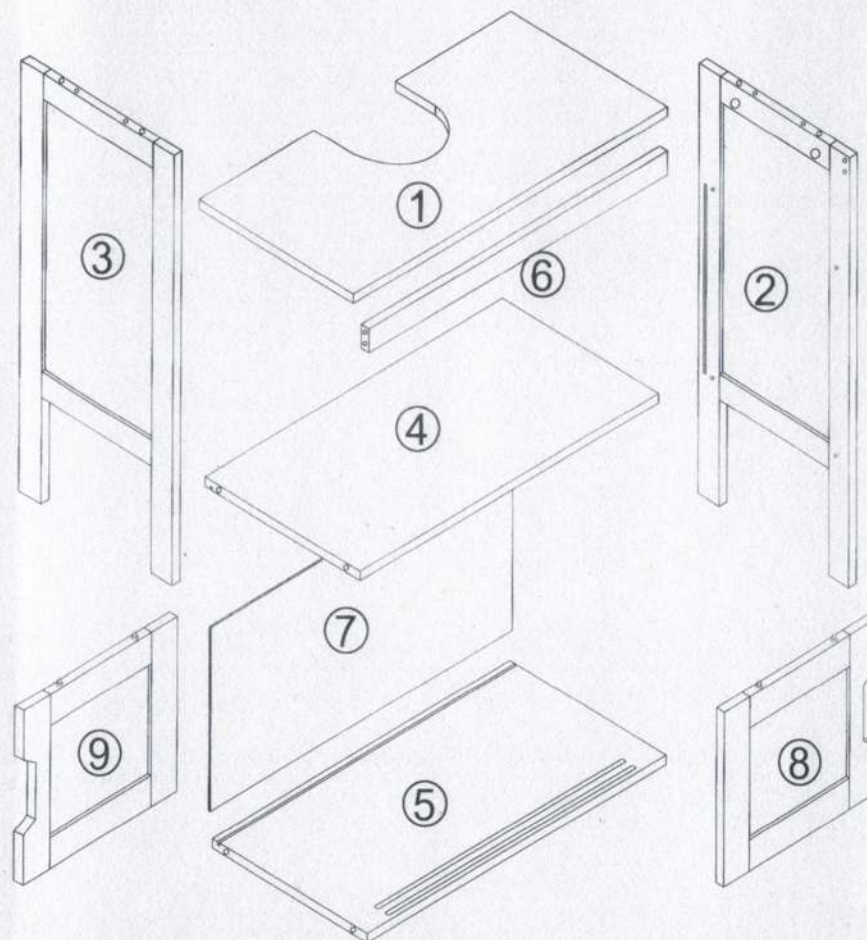
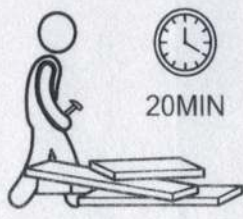
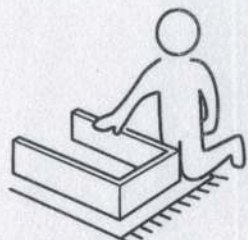
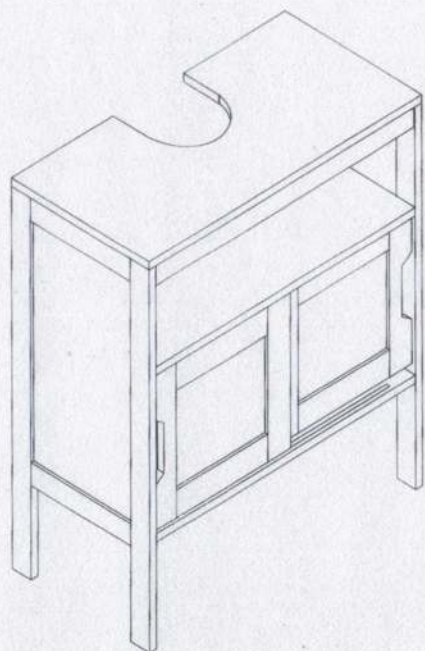


9900-195



Ax12



6x35mm

Bx12



15x12mm

Cx8



6x30mm

Dx4



3x14mm

Ex4

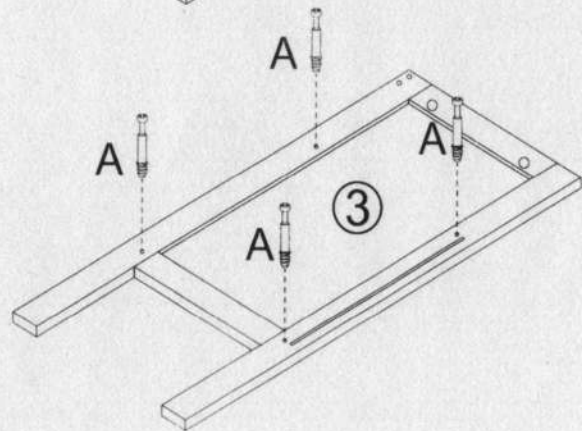
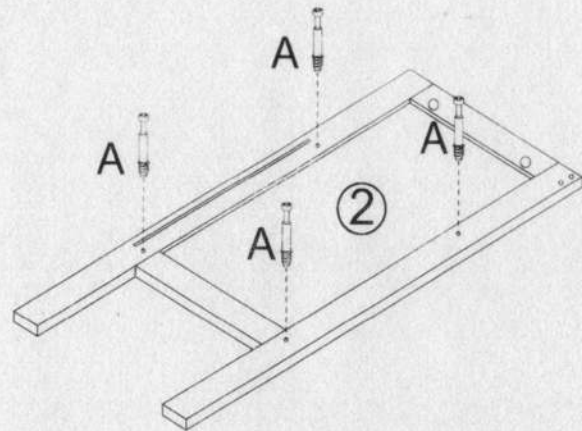
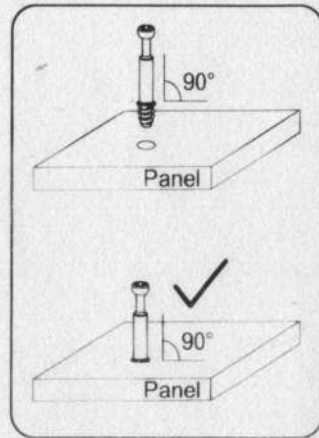
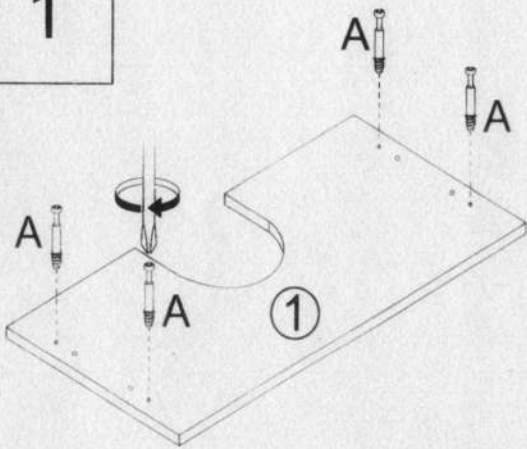


2/8

Fx4

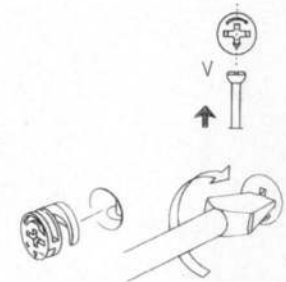
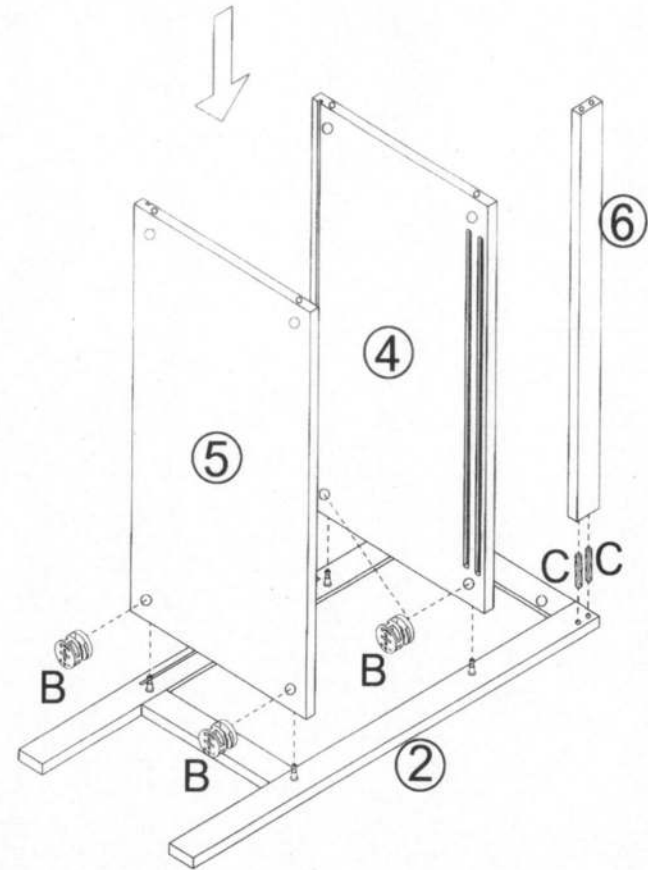


1



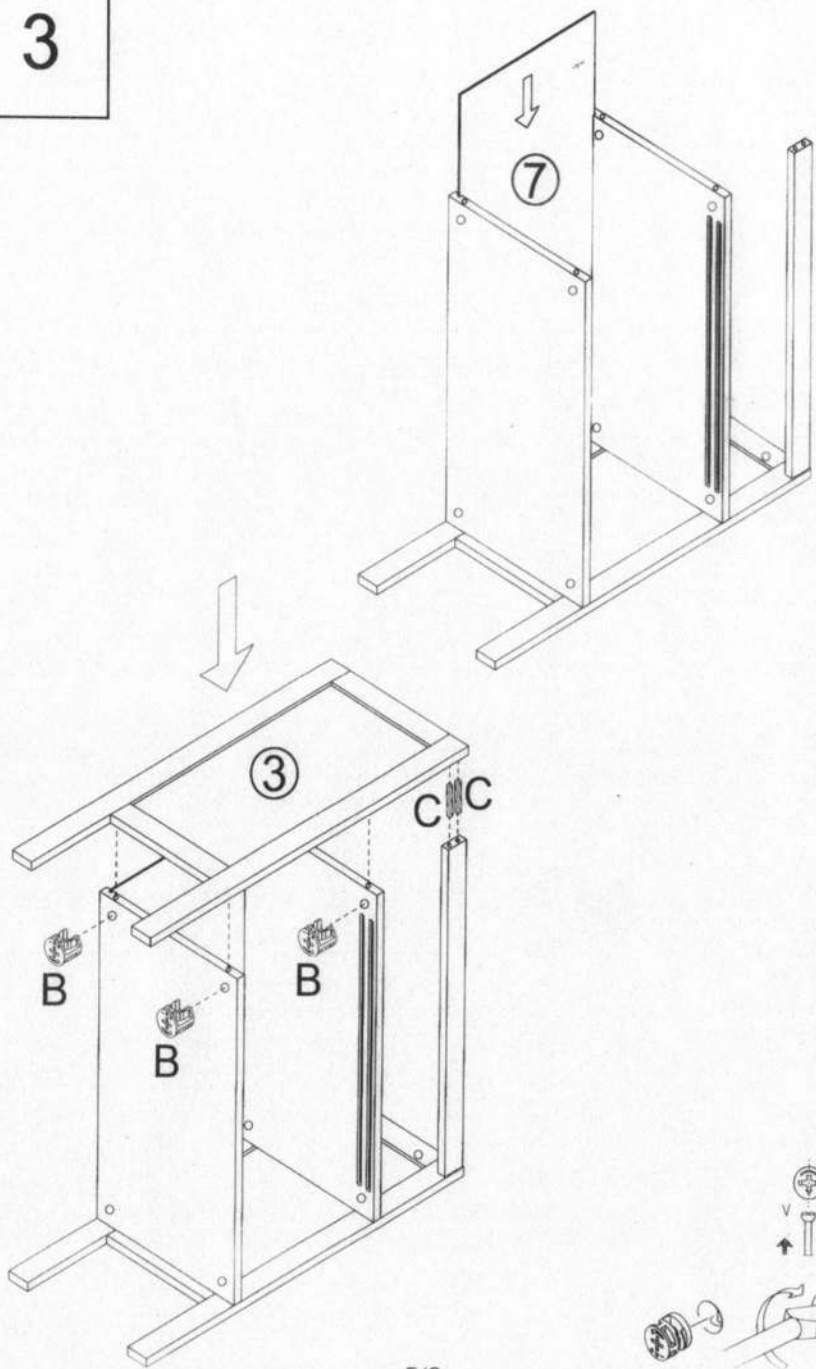
3/8

2



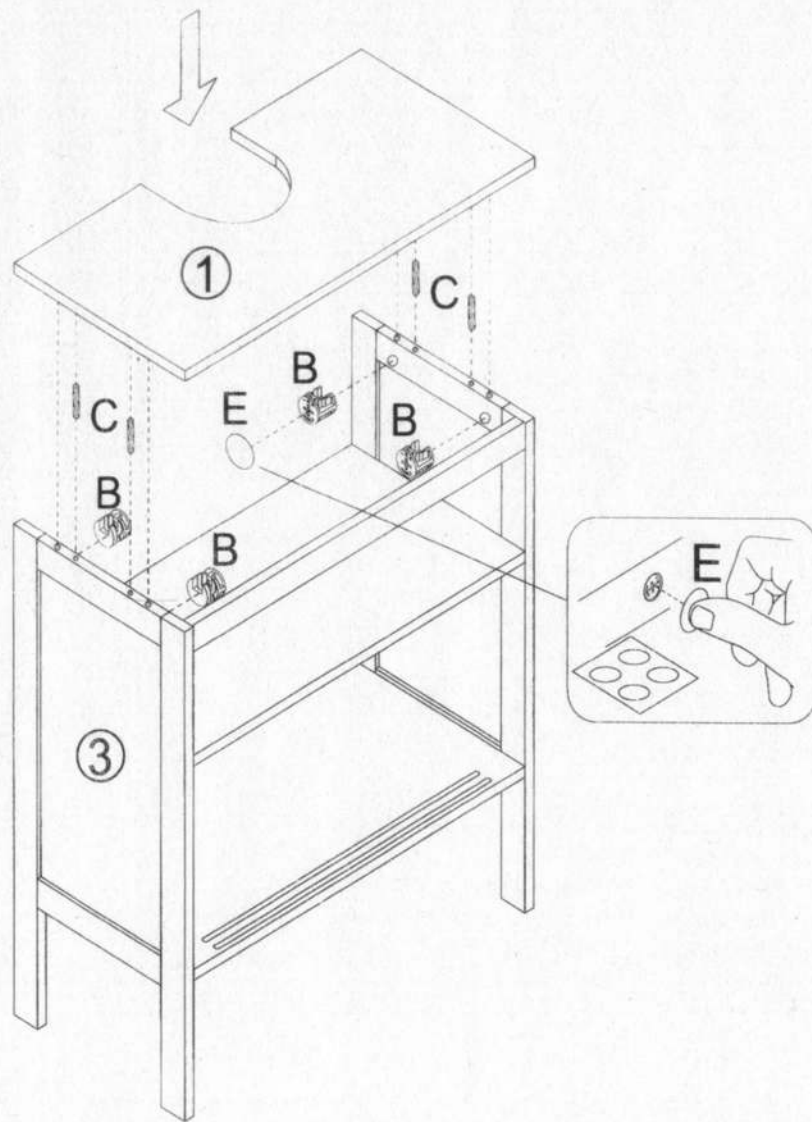
4/8

3



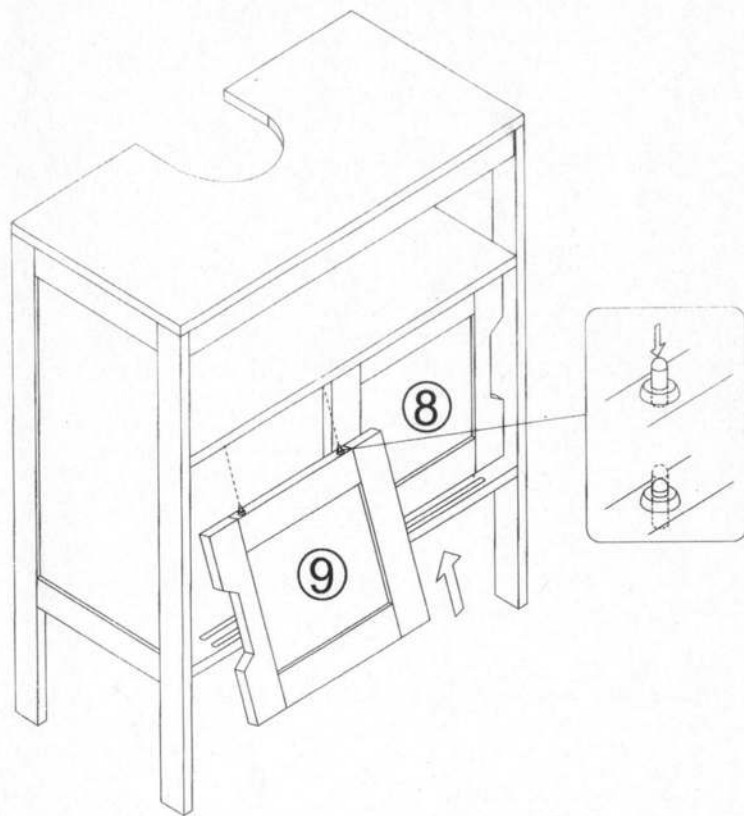
5/8

4



6/8

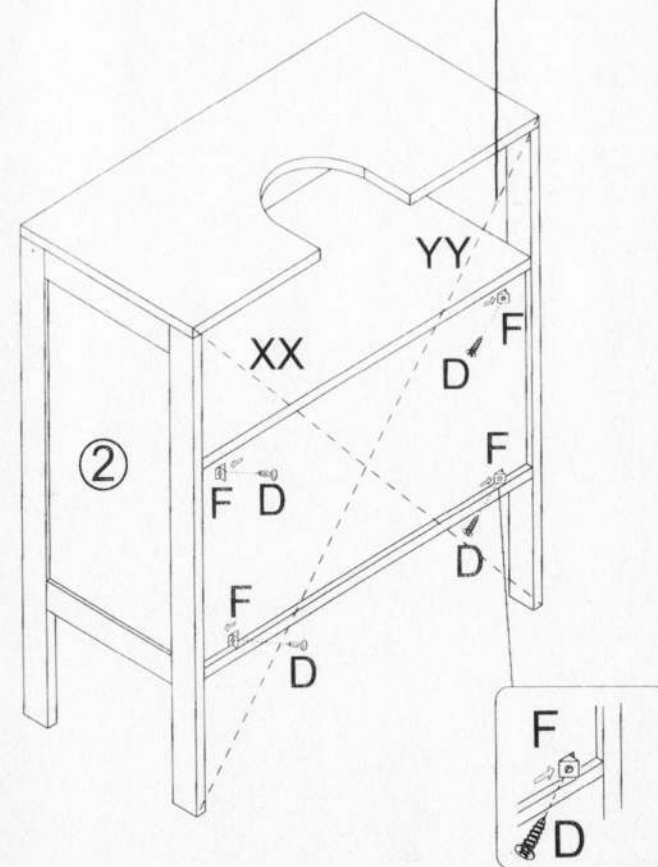
5



7/8

6

Avant de fixer "F", s'assurer que la dimension "XX=YY".
 Before fix "F", please make sure size "XX=YY".



8/8