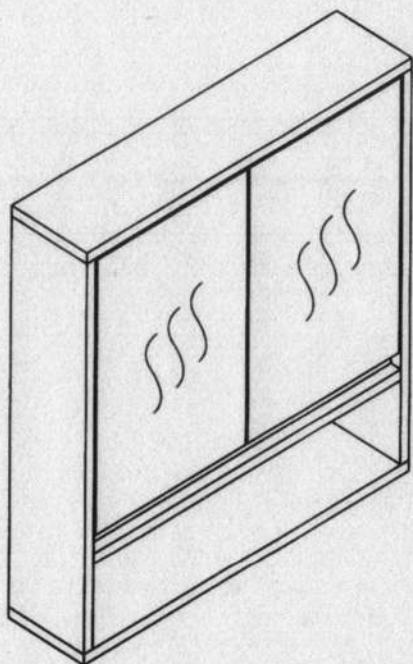
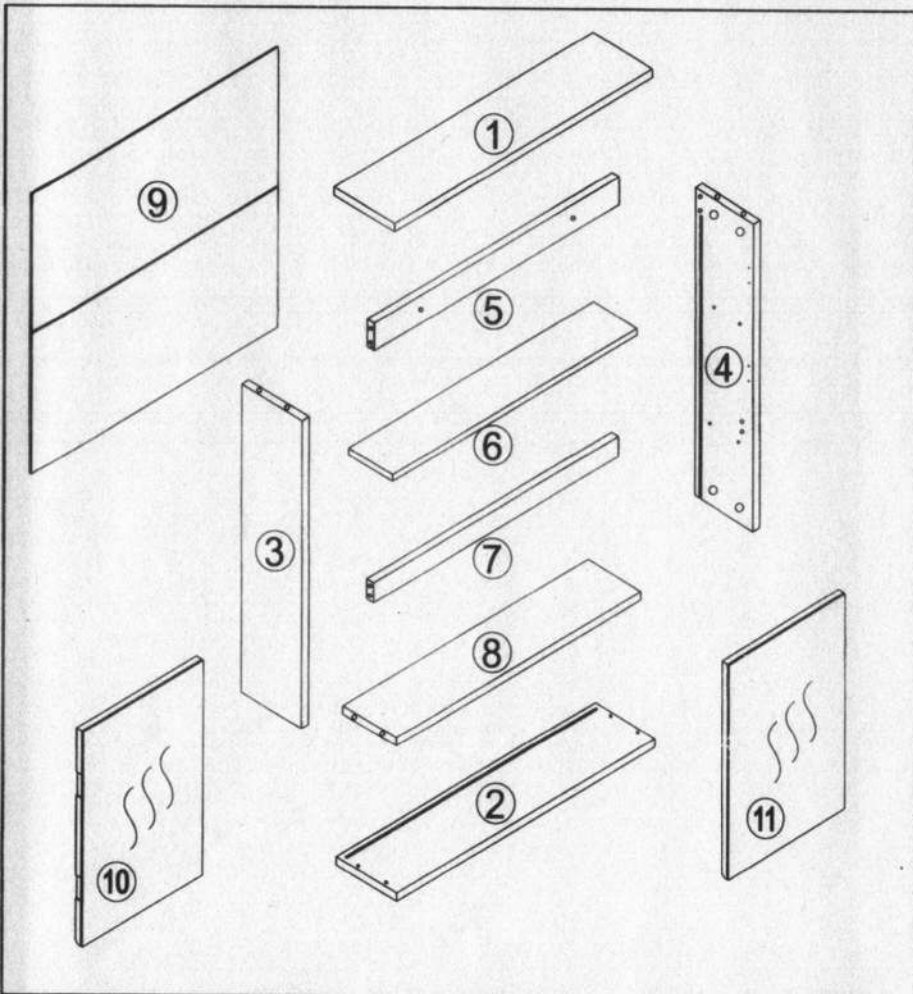


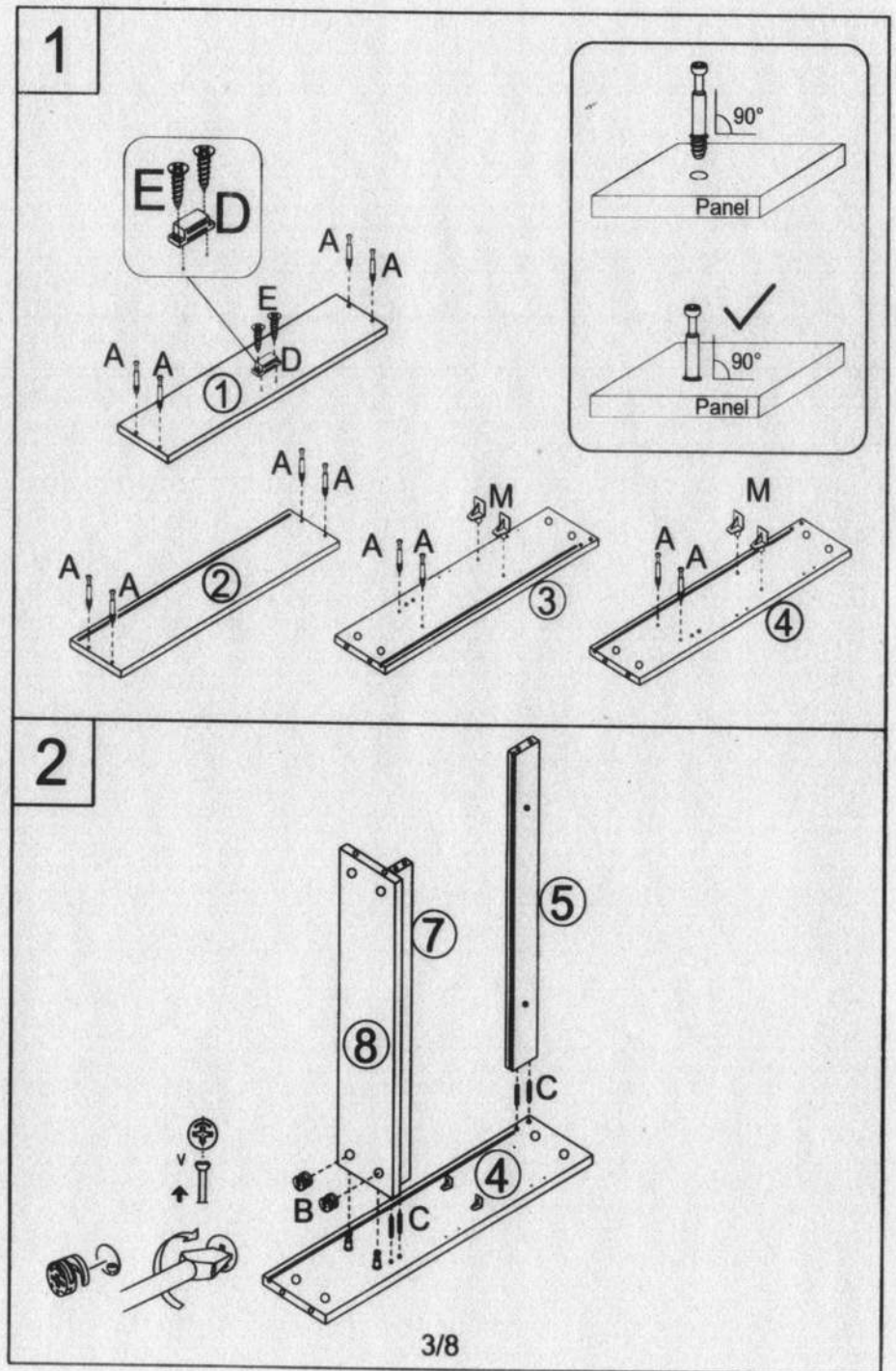
9908-100





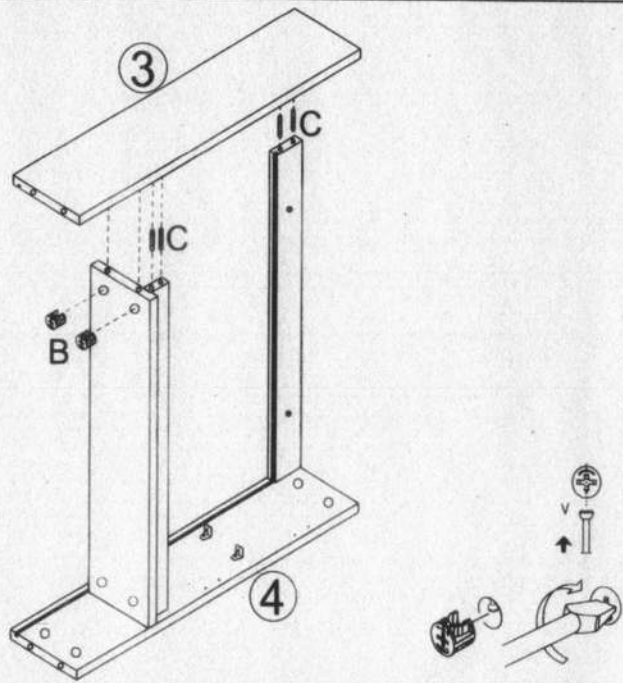
| | | | | |
|--------------------|---------------------|-------------------|-------------------|-------------------|
| Ax12 6x35mm | Bx12 15x12mm | Cx8 6x30mm | Dx1 | Ex6 3x14mm |
| Fx4 | Gx18 3x12mm | Hx2 | Ix2 4x35mm | Jx2 |
| Kx8 | Lx4 | Mx4 | | |

2/8

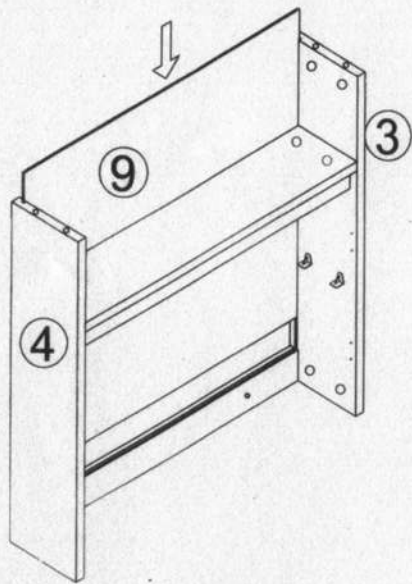


3/8

3

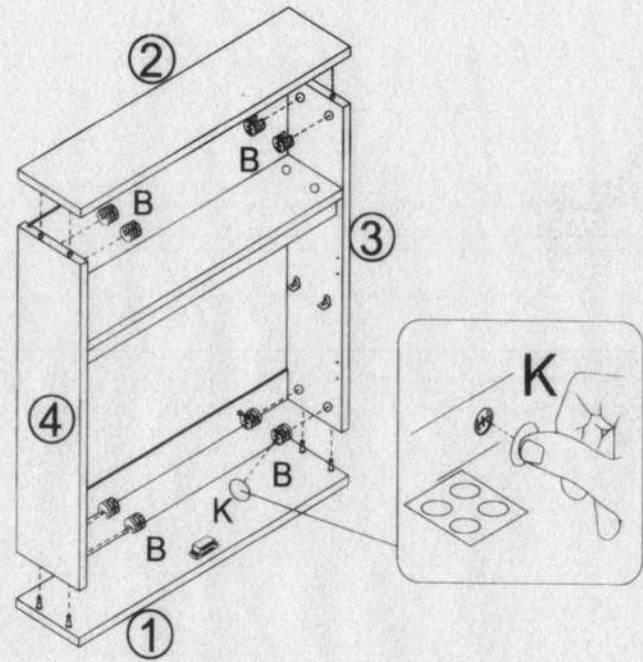


4

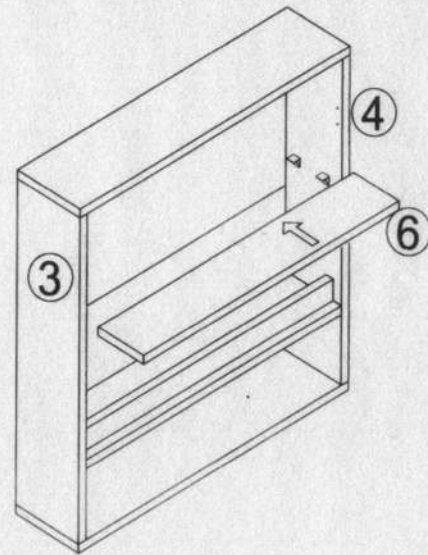


4/8

5

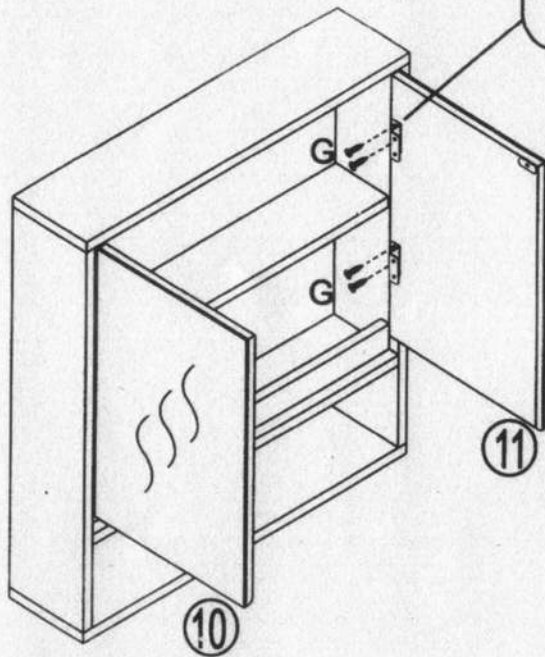
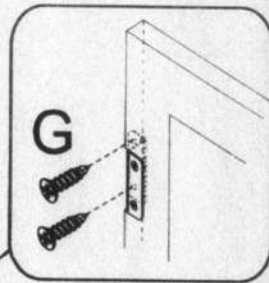
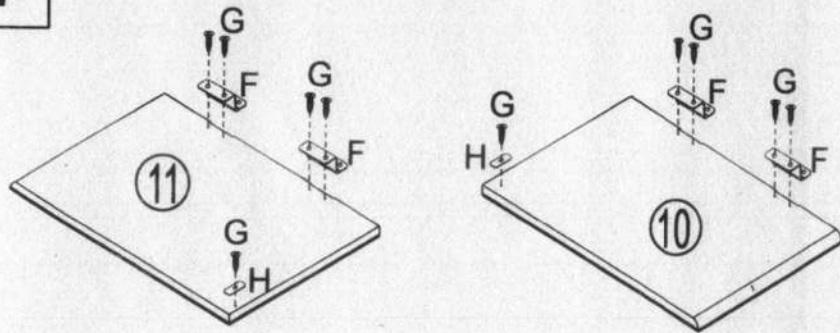


6



5/8

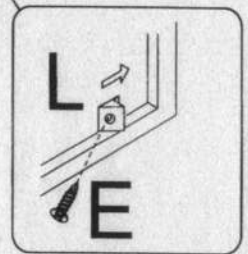
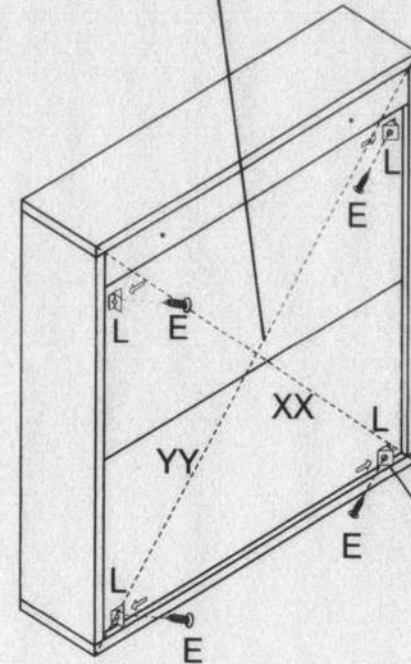
7



6/8

8

Avant de fixer "L", s'assurer que la dimension "XX=YY".
Before fix "L", please make sure size "XX=YY".



7/8

9

