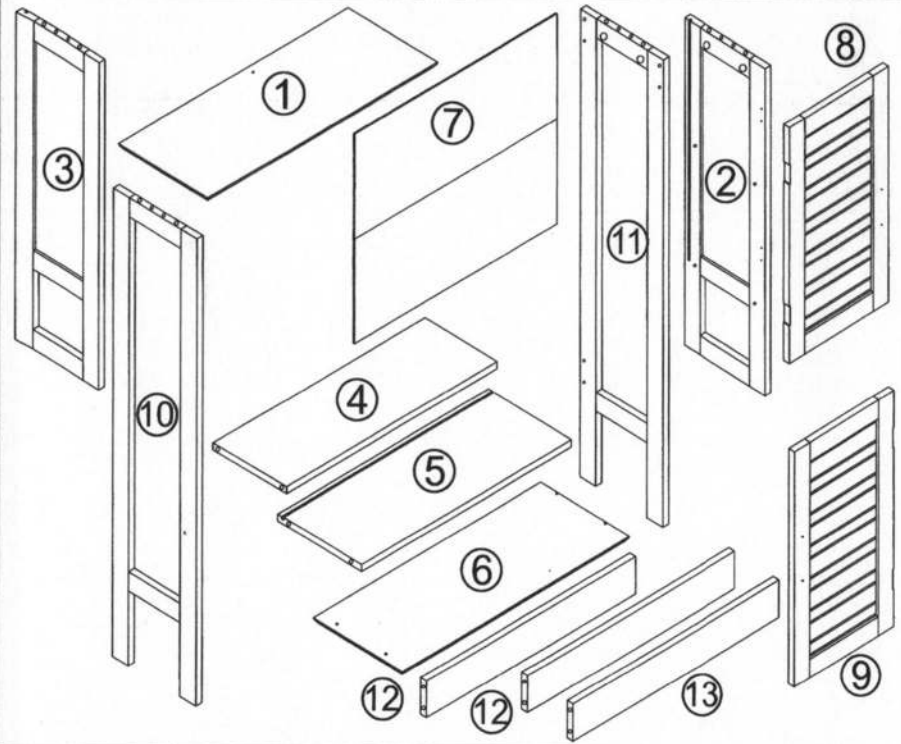
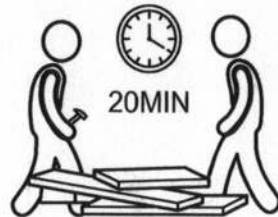
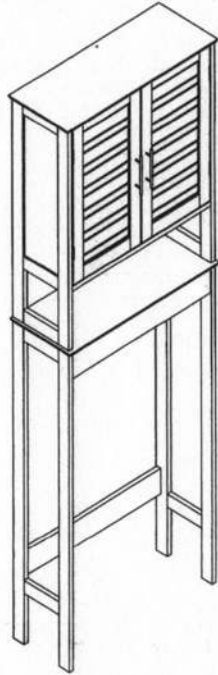



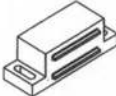












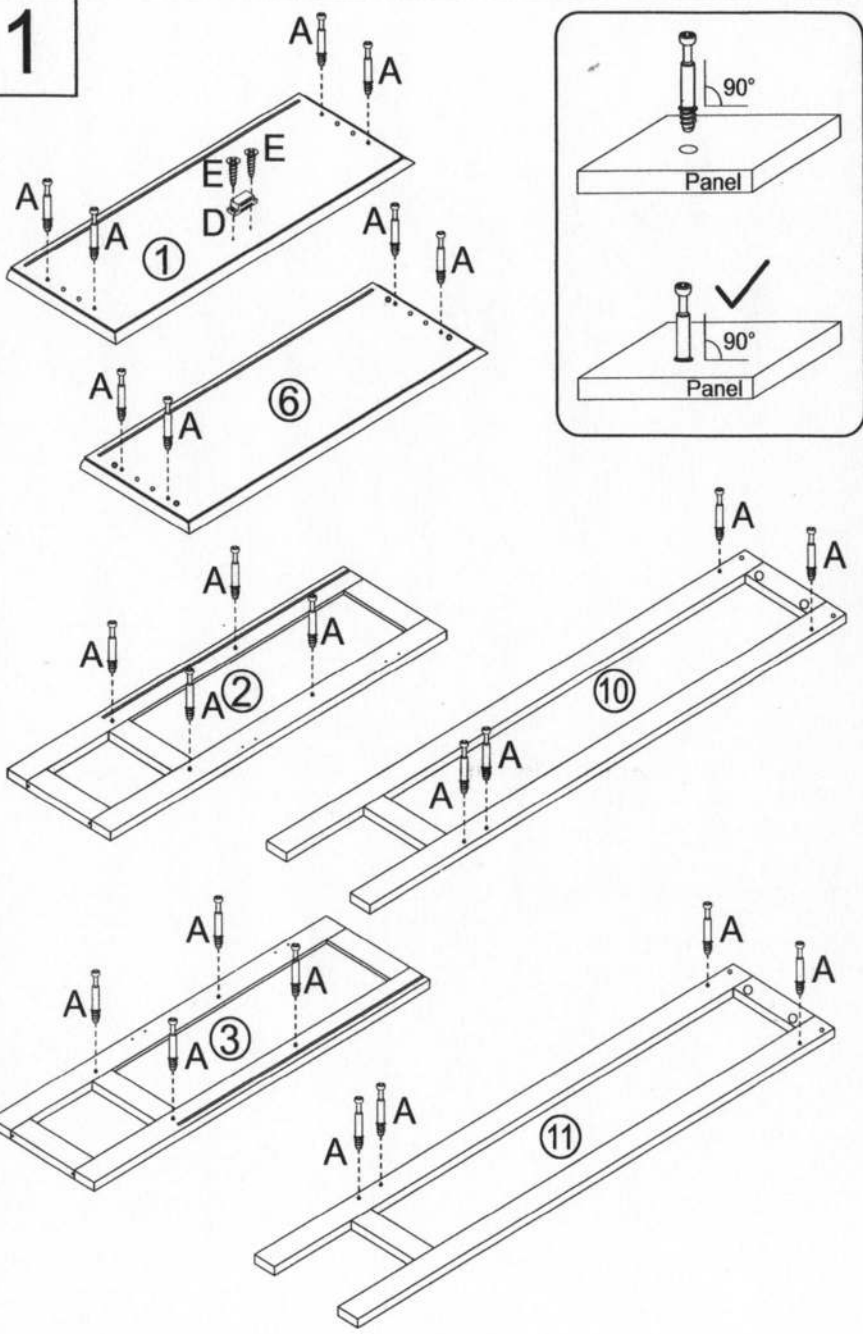


9904-306



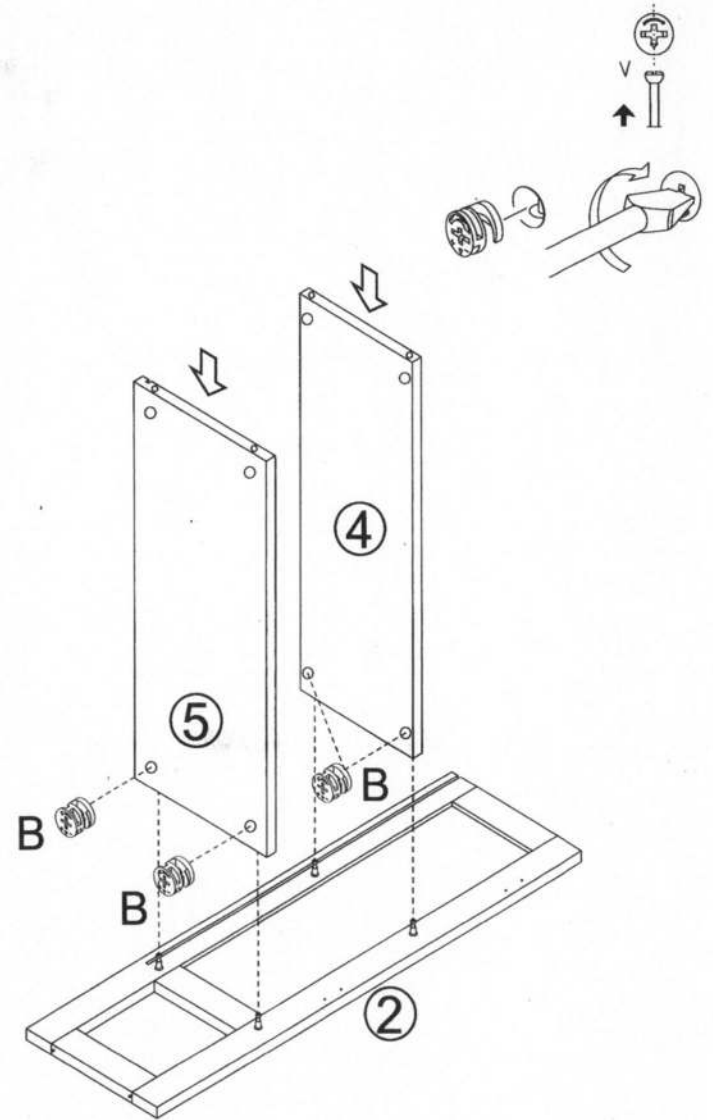
Ax24  6x35mm	Bx24  15x12mm	Cx12  6x30mm	Dx1 	Ex6  3x14mm	
Fx4 	Gx18  3x12mm	Hx2 	Ix5  4x35mm	Jx1 	
Kx1 	Lx1 	Mx4 	Nx4 	Ox4 	Px2  2/12

1



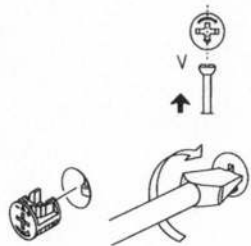
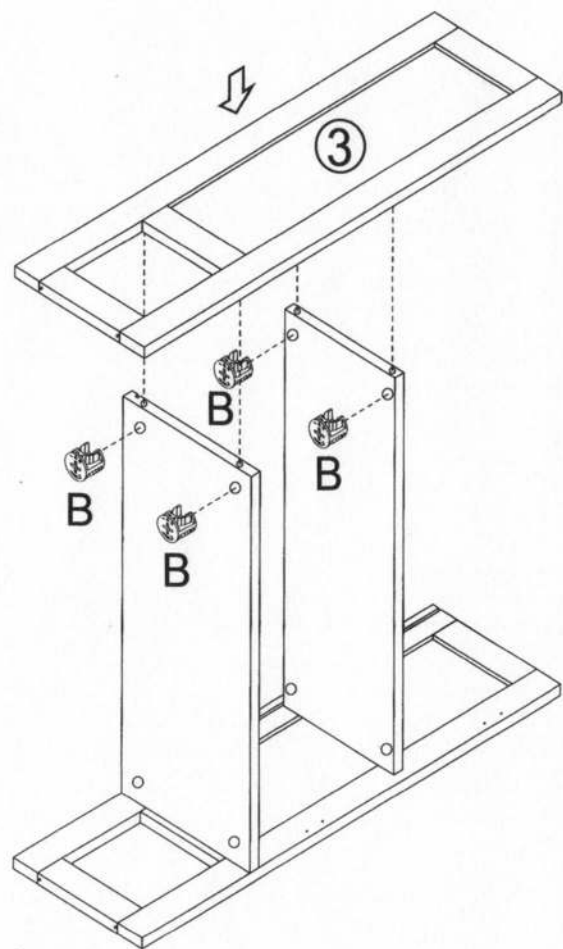
3/12

2



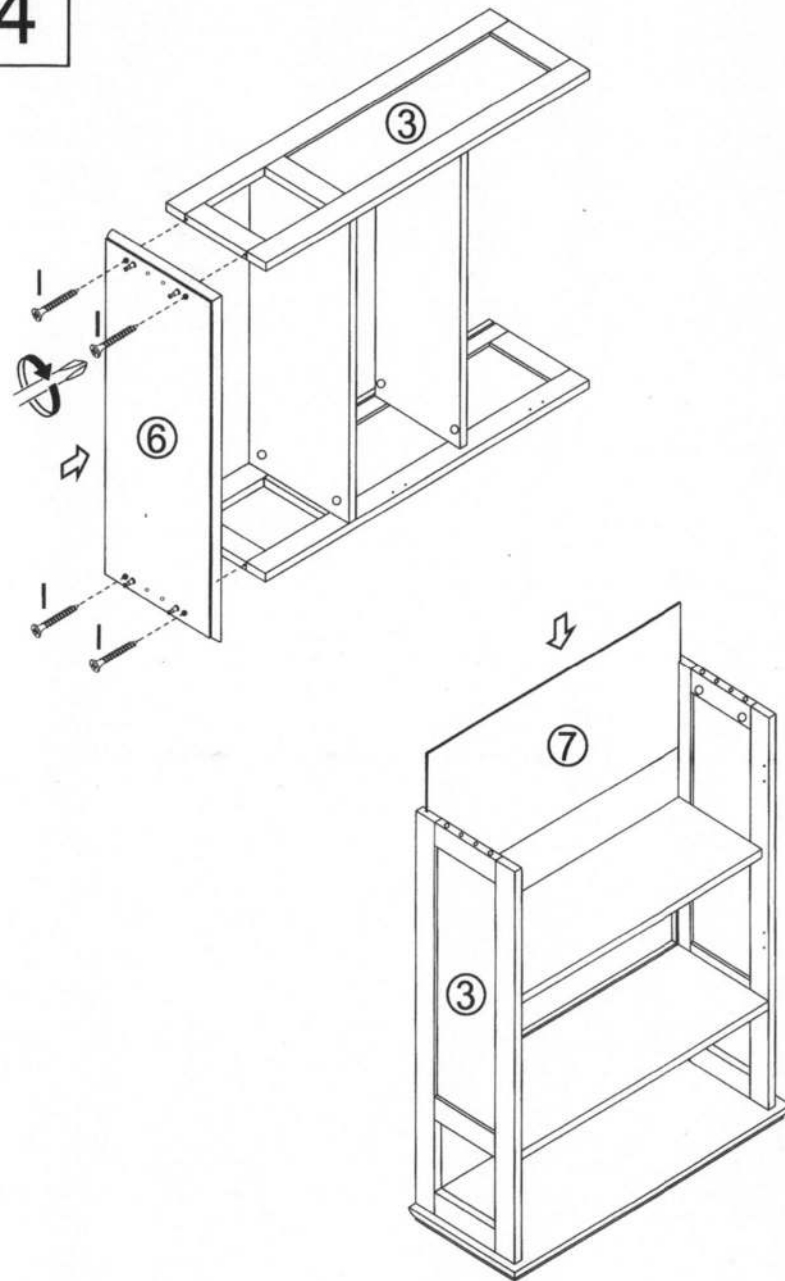
4/12

3



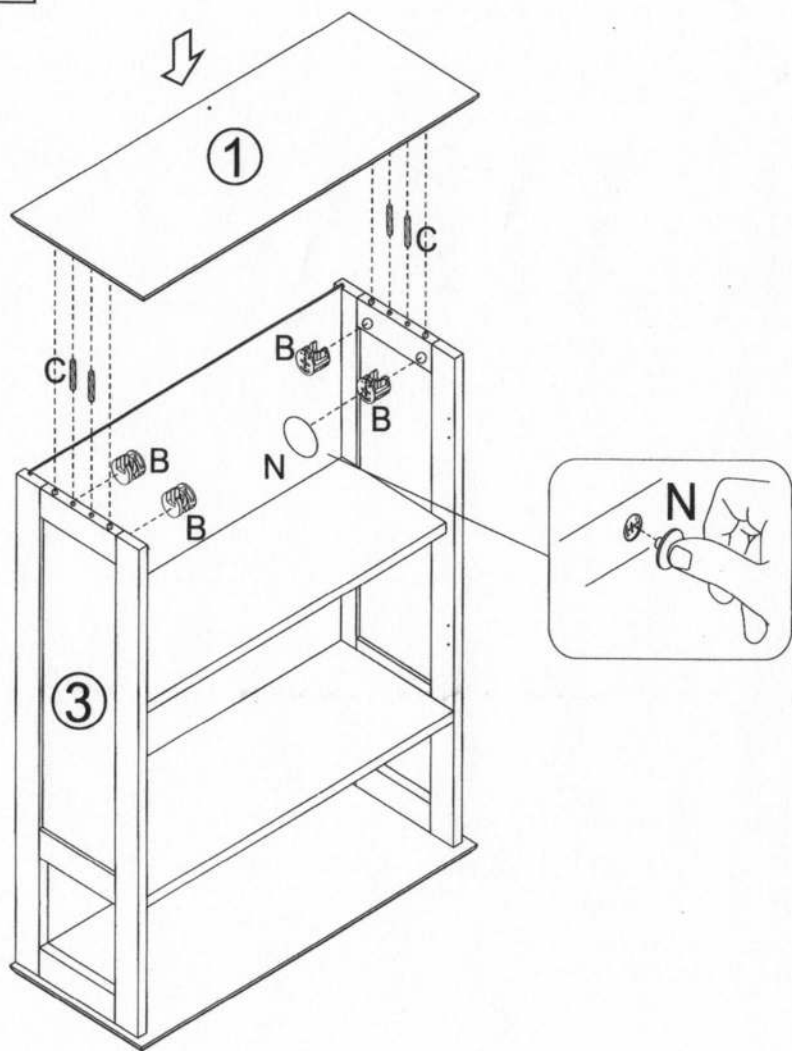
5/12

4



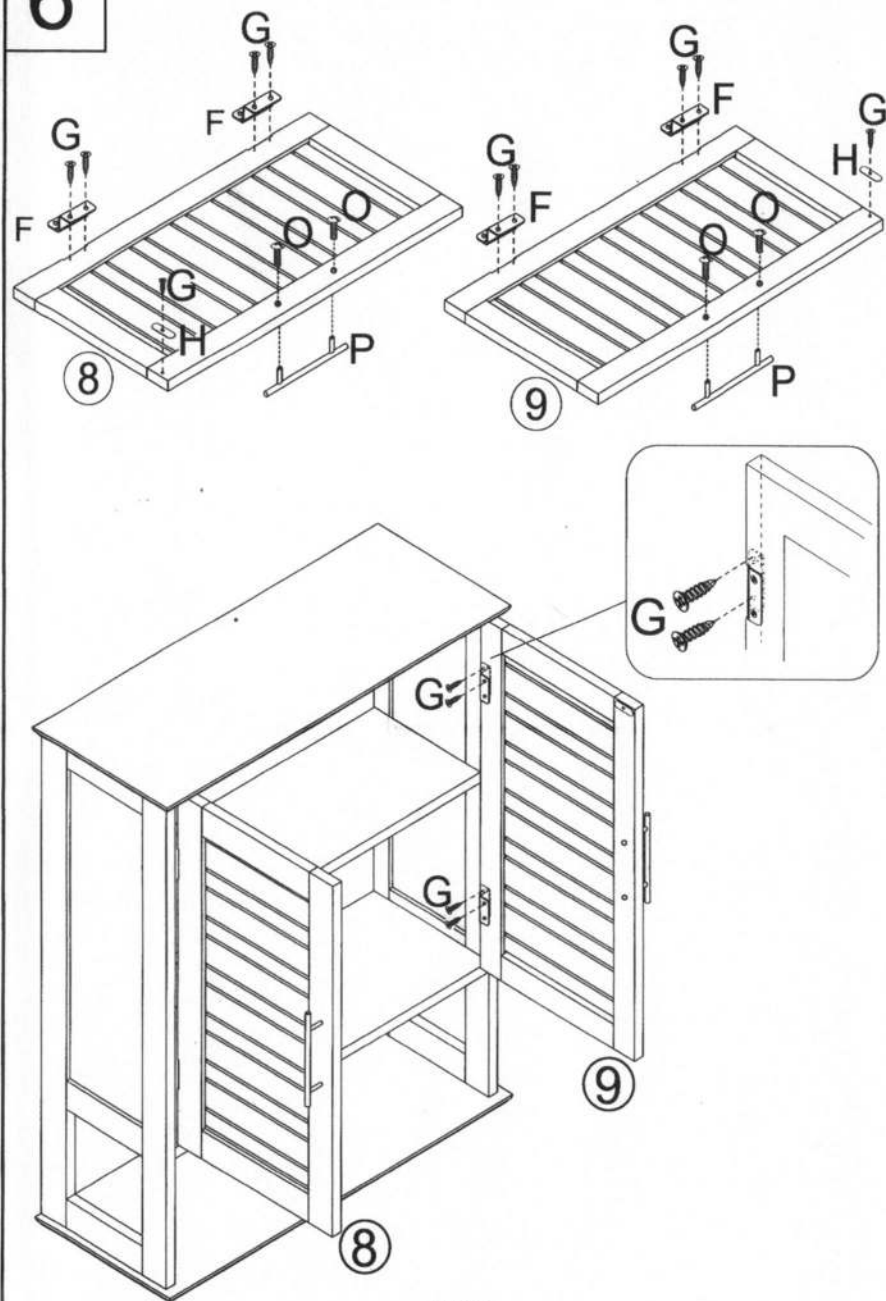
6/12

5



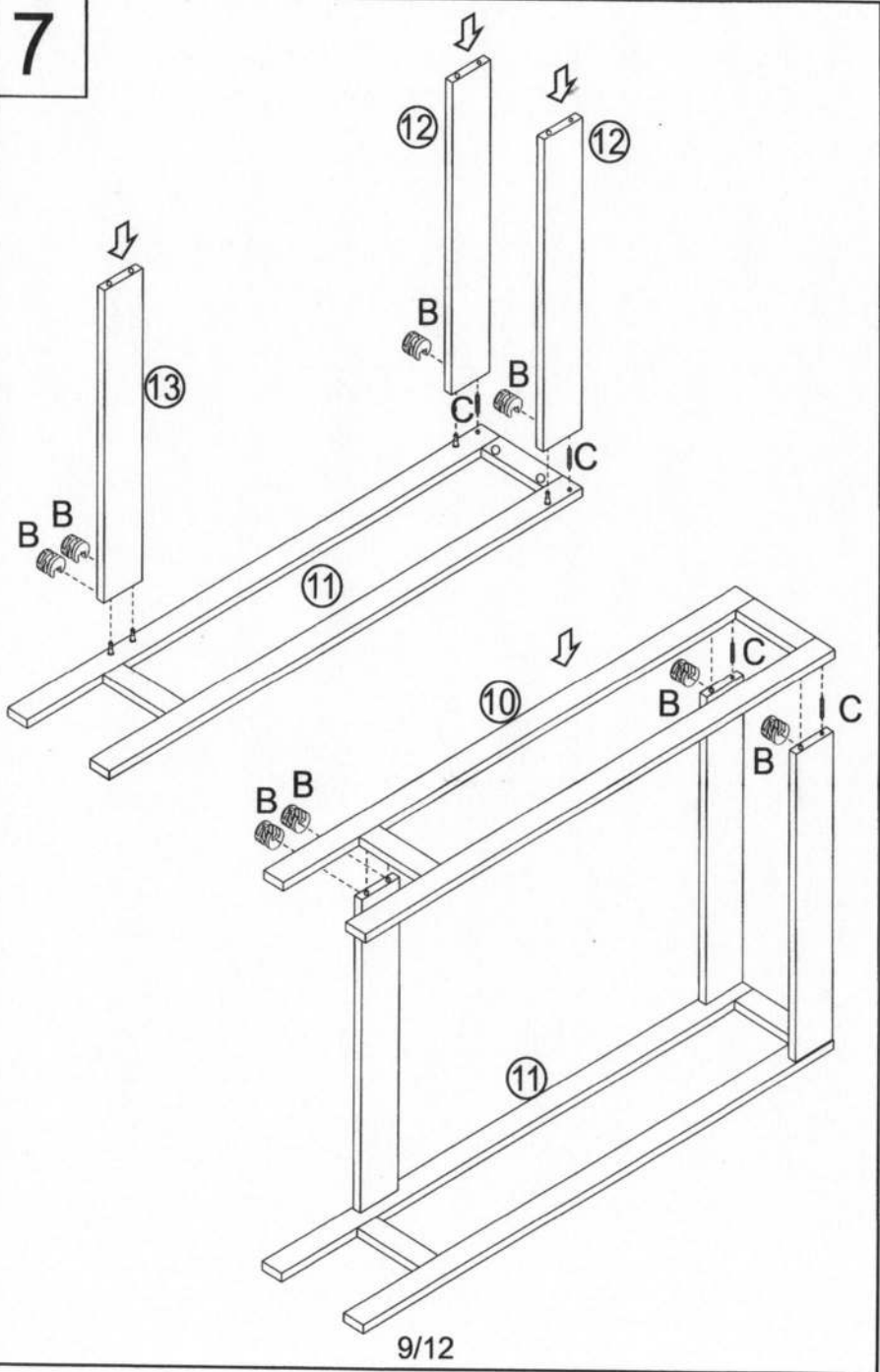
7/12

6

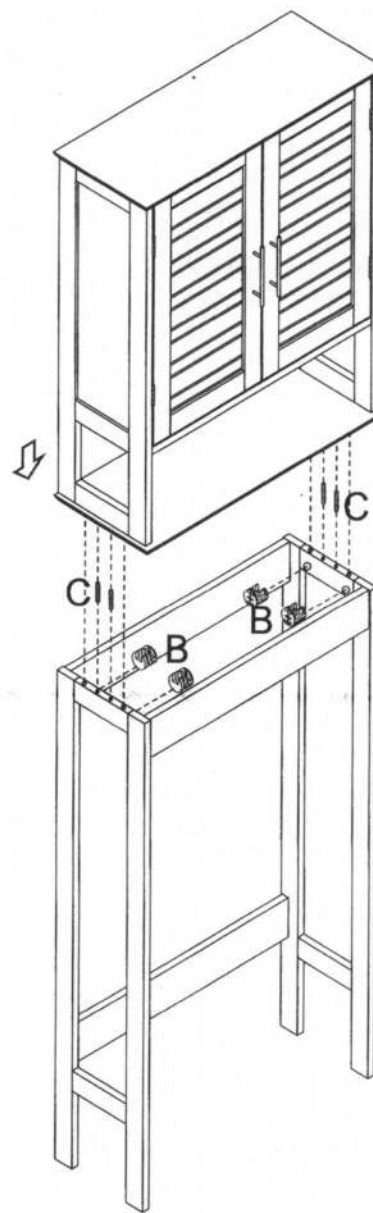


8/12

7



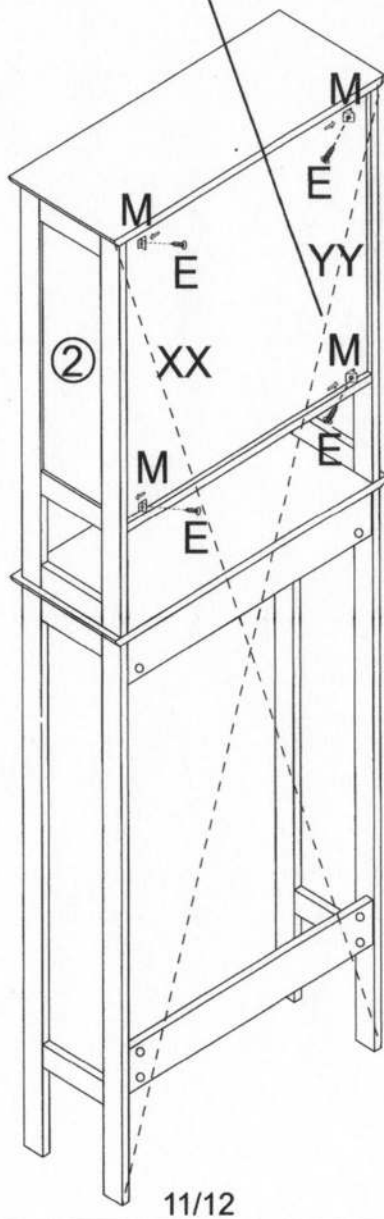
8



10/12

9

Avant de fixer "M", s'assurer que la dimension "XX=YY".
 Before fix "M", please make sure size "XX=YY".



10

