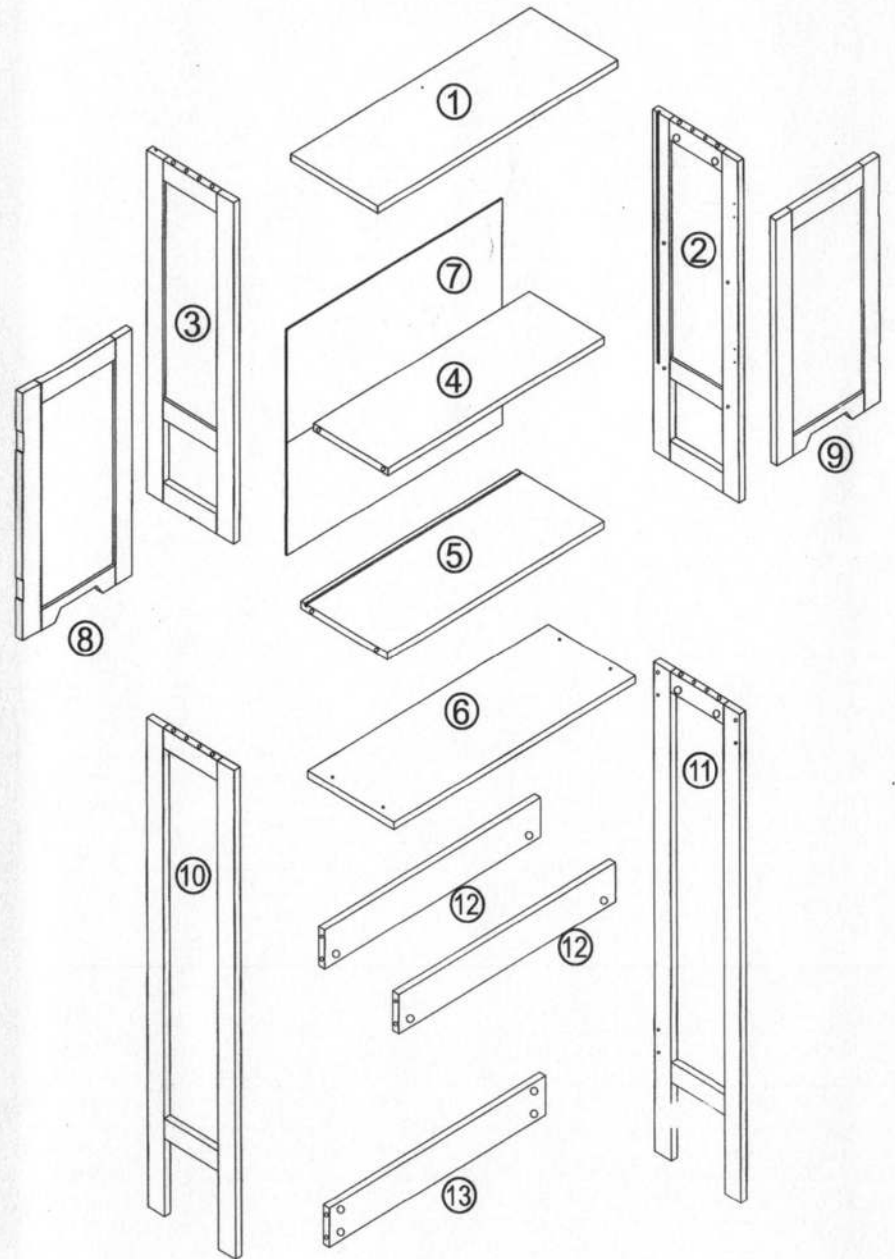
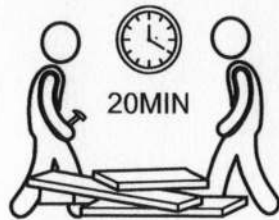
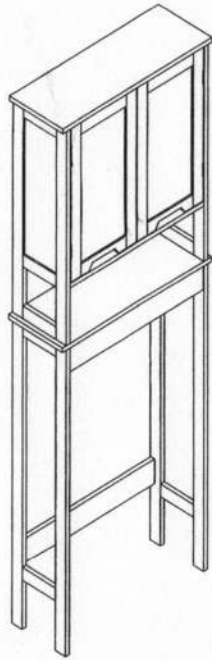



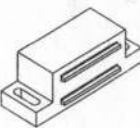





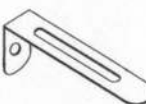



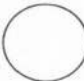
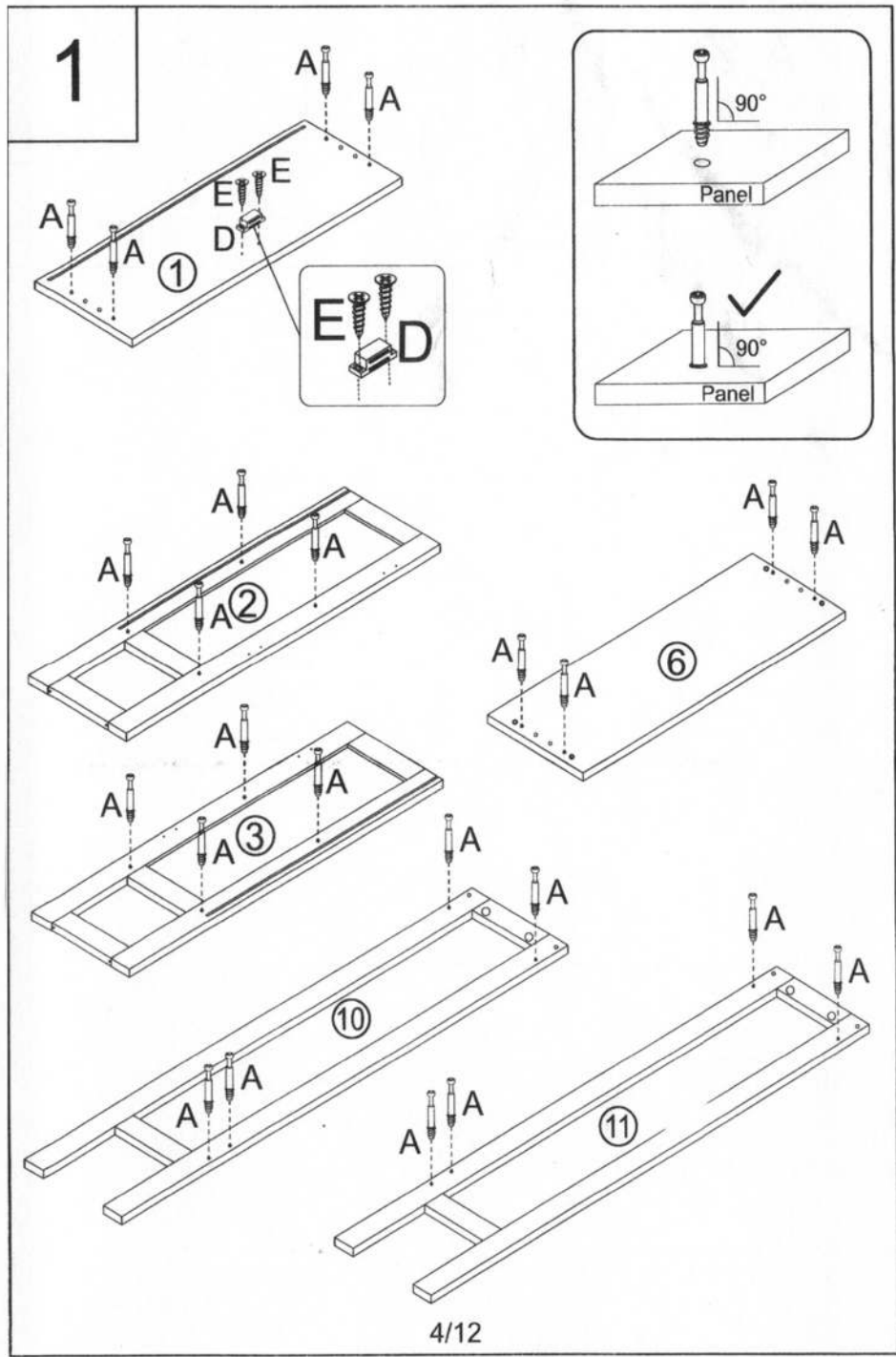


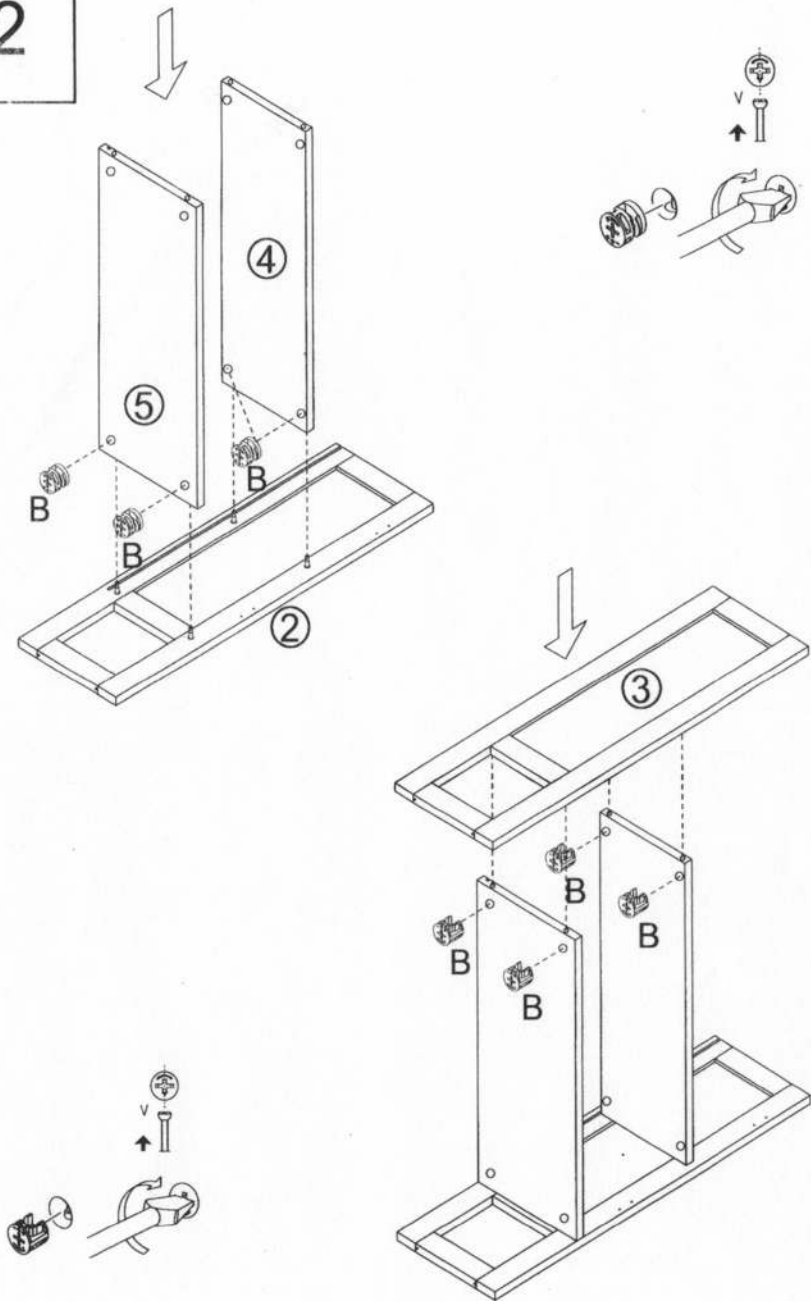
9904-195



<p>Ax24</p>  <p>6x35mm</p>	<p>Bx24</p>  <p>15x12mm</p>	<p>Cx12</p>  <p>6x30mm</p>
<p>Dx1</p> 	<p>Ex6</p>  <p>3x14mm</p>	<p>Fx4</p> 
<p>Gx18</p>  <p>3x12mm</p>	<p>Hx2</p> 	<p>Ix5</p>  <p>4x35mm</p>
<p>Jx1</p> 	<p>Kx1</p> 	<p>Lx1</p> 
<p>Mx4</p> 	<p>Nx4</p>  <p>3/12</p>	

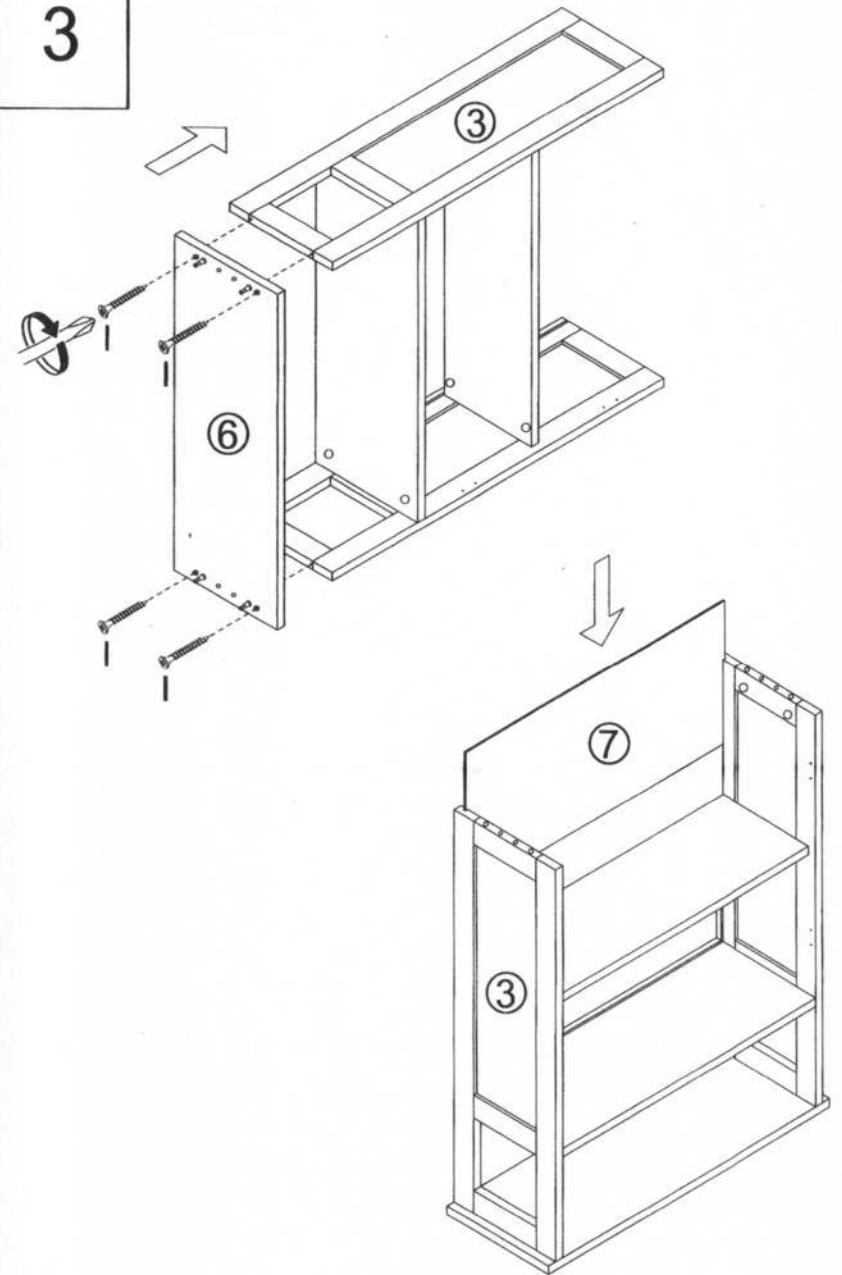


2



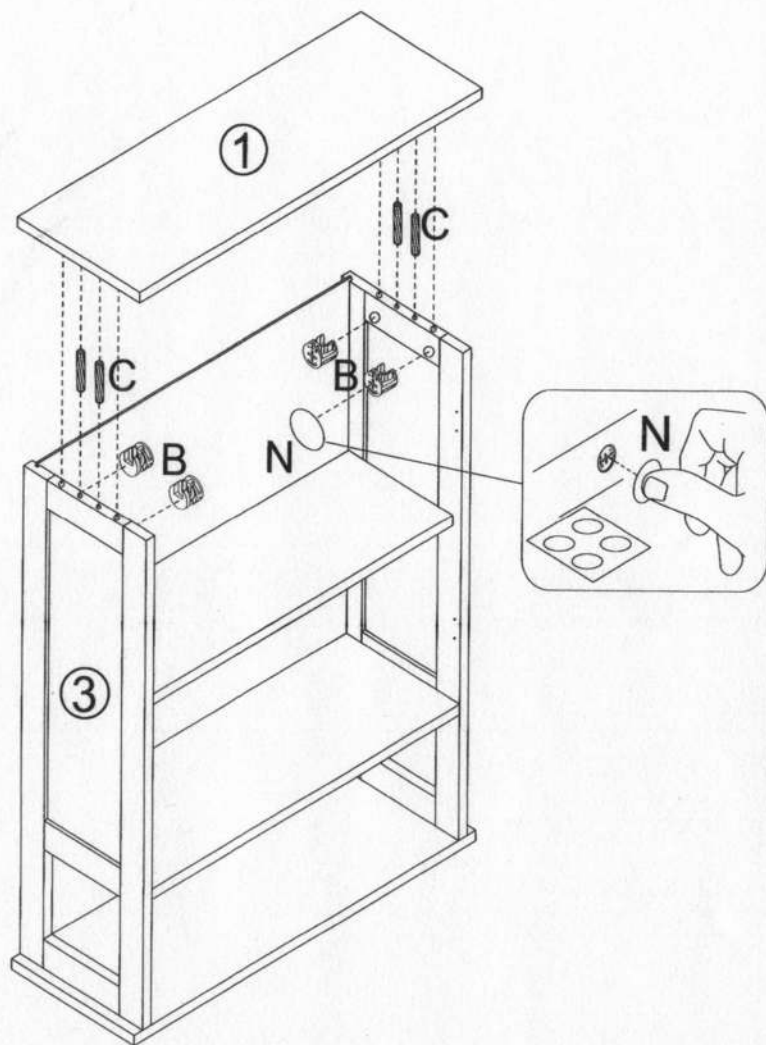
5/12

3



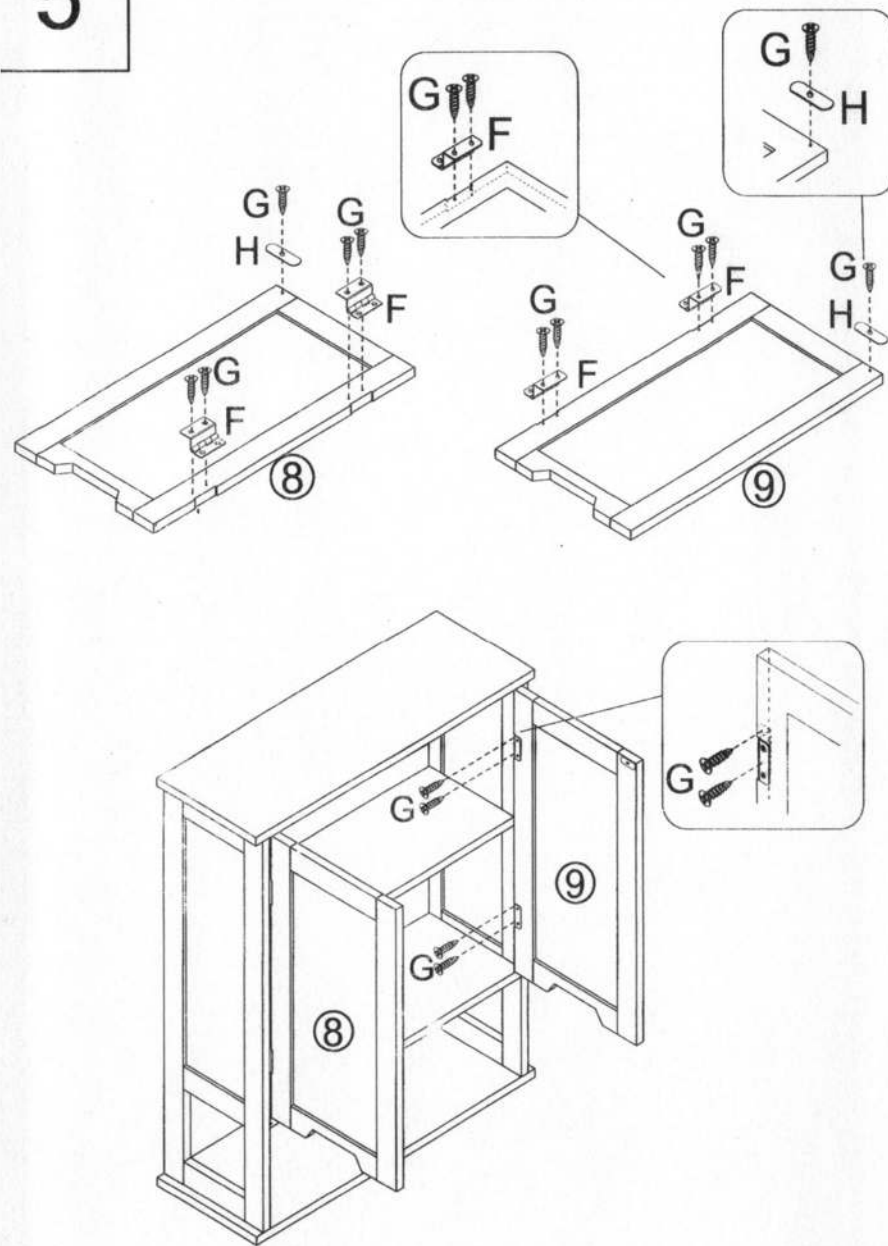
6/12

4



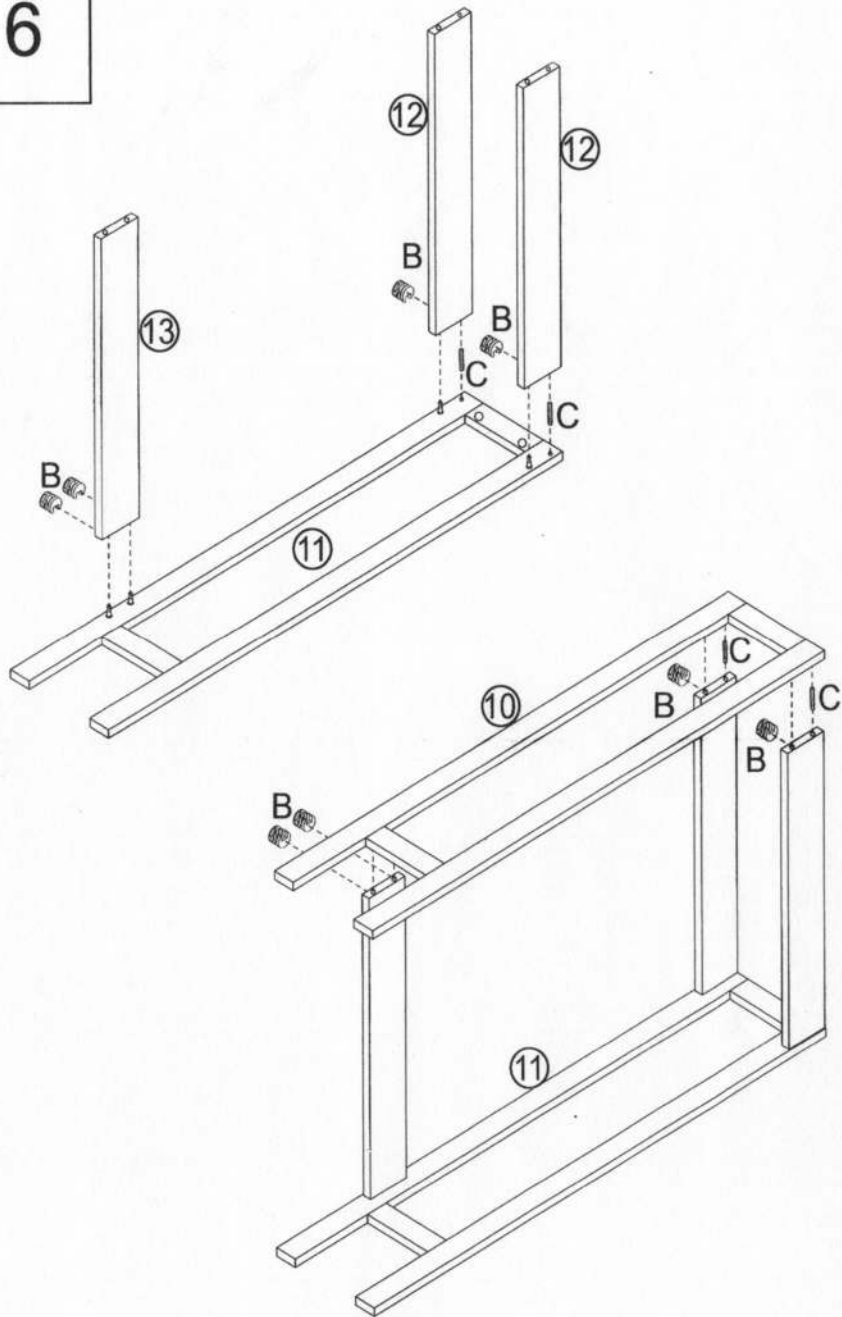
7/12

5



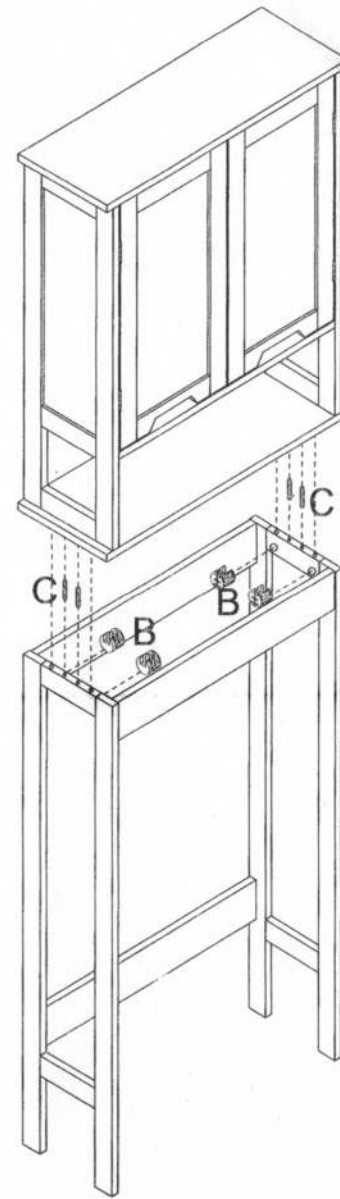
8/12

6



9/12

7

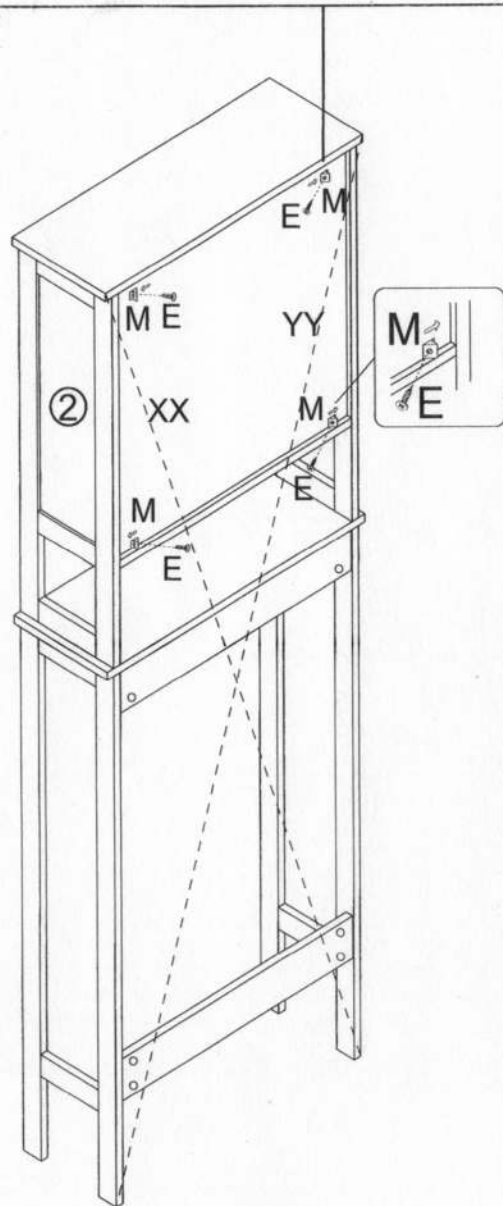


10/12

8

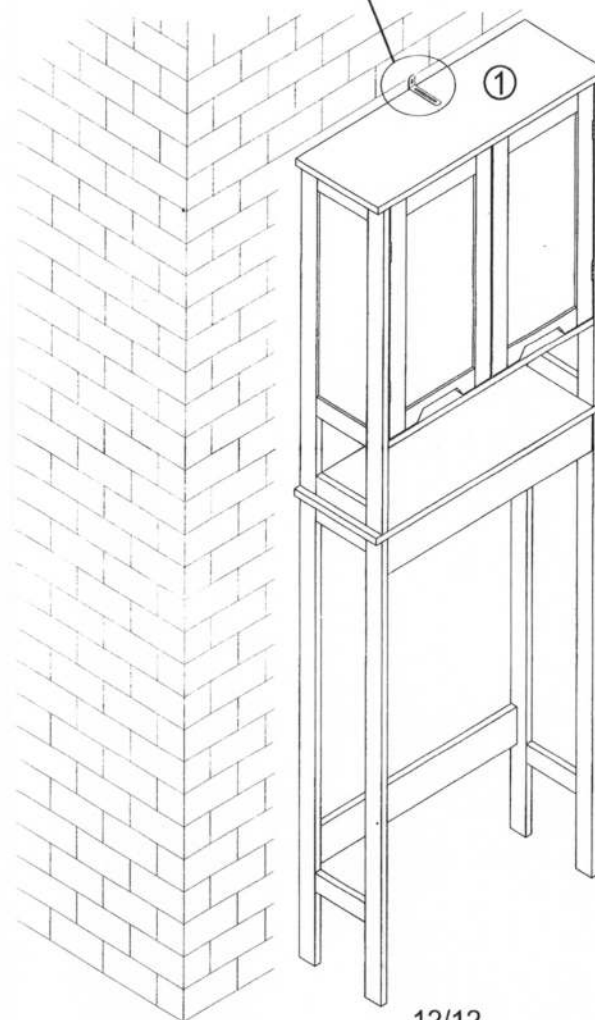
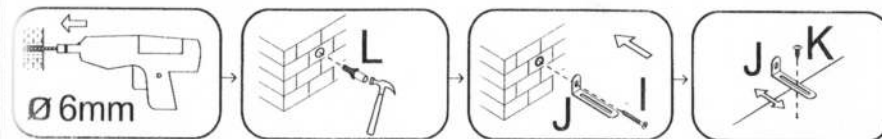
Avant de fixer "M", s'assurer que la dimension "XX=YY".

Before fix "M", please make sure size "XX=YY".



11/12

9



12/12